

CATERPILLAR D6N LGP



VAN DER WOUDE

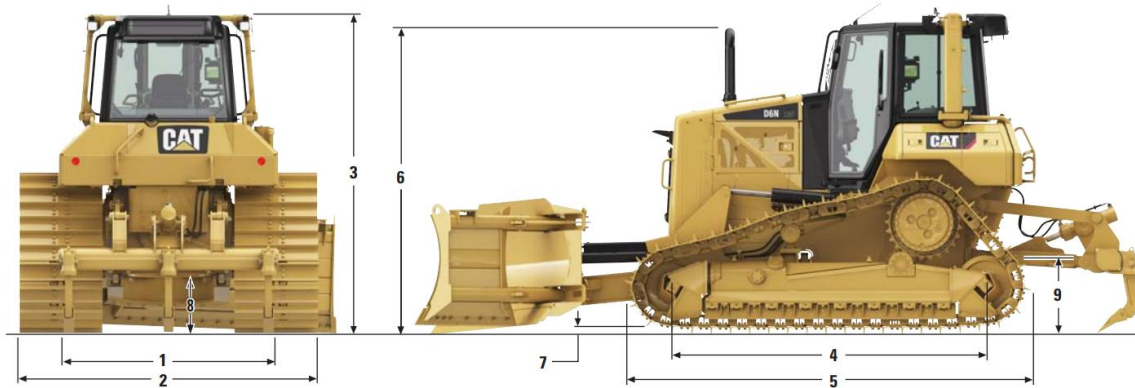
De Wieken 22
8801RA Franeker

☎ +31 (0)518 402 076
✉ info@woudegroep.nl
🌐 www.woudegroep.nl

CATERPILLAR D6N LGP

Technische gegevens:

Motor vermogen:	112 kW / 150PK
Gewicht:	17 T
GPS systeem:	Trimble



Tractor Dimensions

	LGP
1 Track gauge	2160 mm
2 Width of tractor	
With the following attachments:	
Standard shoes without blade	3000 mm
Standard shoes with VPAT blade fully angled	3699 mm
Standard shoes with VPAT blade angled and folded (foldable blade only)	3000 mm
3 Machine height – ROPS cab:	
From tip of grouser	3202 mm
From ground face of shoe	3145 mm
4 Length of track on ground	3116 mm
5 Length of basic tractor (with drawbar)	4146 mm
With the following attachments, add to basic tractor length:	
Ripper (with tip at ground line)	1023 mm
PA55 winch	411 mm
VPAT blades, straight	1255 mm
VPAT blade, angled 25°	2097 mm
VPAT blade, foldable, angled 31°	2260 mm
SU blade	—
6 Height over stack from tip of grouser	3083 mm
7 Height of grouser	57 mm
8 Ground clearance from ground face of shoe (per SAE J1234)	507 mm
9 Drawbar height (grouser tip to center of clevis)	
From ground face of shoe	710 mm

